

VXI-1501 AIR BAFFLE INSTALLATION GUIDE

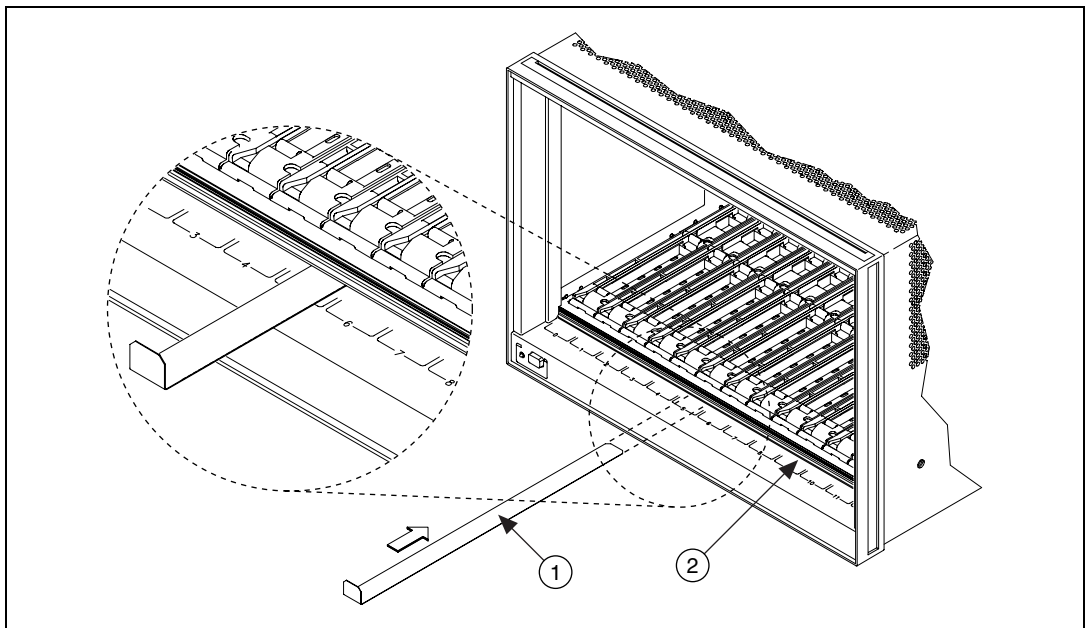
An air baffle restricts airflow to an unoccupied slot in a mainframe, thereby increasing airflow to occupied slots.

Inserting an Air Baffle



Caution Do *not* insert an air baffle in a slot where a module is installed. This will restrict the airflow and cause the module installed in that slot to overheat and fail. You should install no more than six air baffles in a mainframe.

Slide the air baffle to the left or right at the slot opening to center it in the slot until you can insert it under the front rail. (If it is difficult to insert the baffle, lightly press down on the bezel beneath the baffle while inserting it.) Insert the baffle about 6 in. (15 mm) and make sure it covers the air holes beneath the slot. Fully insert the baffle until it covers all the air holes.



1 Air Baffle

2 Front Rail

National Instruments™, NI™, and ni.com™ are trademarks of National Instruments Corporation. Product and company names mentioned herein are trademarks or trade names of their respective companies. For patents covering National Instruments products, refer to the appropriate location: **Help»Patents** in your software, the `patents.txt` file on your CD, or ni.com/patents.

October 2002
322829A-01